

TUBULAR DEADBOLTS AND CYLINDRICAL DEADLATCHES A-1

A200 Series Cylindrical Deadlatch
Grade 1



Specifications

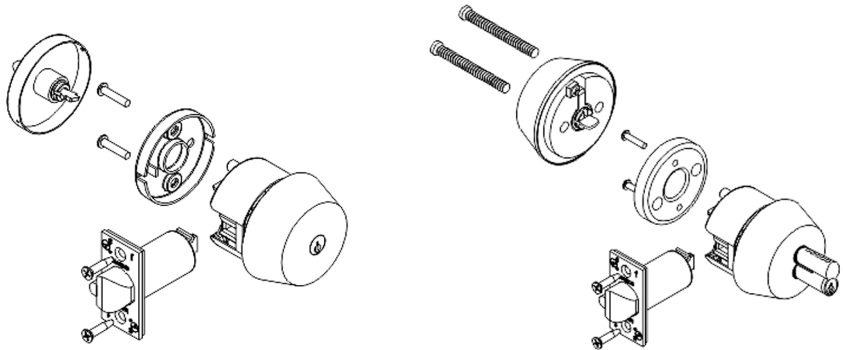
- Meets ANSI 156.5 Grade 1- 3 Hour Fire Rating
- Grade 1 Cylindrical Chassis
- Grade 1 Latchbolt 9/16"(14.2mm) x 1-1/8"(29mm) Strike
- Strike 2-3/4"(70mm)
- Latch Face 1-1/8"(28.6mm) x 2-1/4"(57mm)
- Door Thickness 1-3/4"(70mm)
- Available in 605, 606, 610, 613, 626, 629, 630



A250 Single Cylinder

A251 Communicating

A252 Double Cylinder

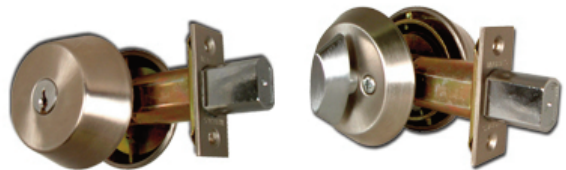


See Page A-2 Functions For Operational Details

A500 Series Tubular Deadbolt
Grade 1

Specifications

- Meets ANSI 156.5 Grade 1
- Grade 1 Cylindrical Chassis
- Grade 1 Latchbolt 9/16"(14.2mm) x 1-1/8"(29mm) Strike
- Strike 2-3/4"(70mm) x 1-1/8"(29mm)
- Latch Face 1"(25.4mm) x 2-1/4"(57mm)
- Door Thickness From 1-3/8"(35mm) - 1-7/8"(48mm)
- Available in 605, 606, 610, 613, 626, 629, 630



A560 Single Cylinder

A561 Communicating

A562 Double Cylinder

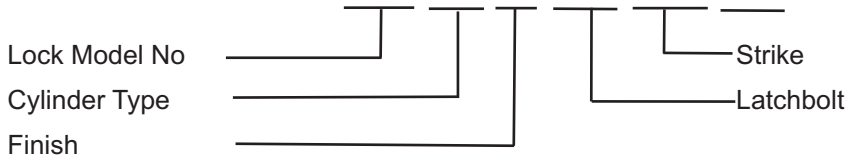
A563 Classroom

See Page A-2 Functions For Operational Details

How To Order

Auxillary Locks

A250 IC6 630 2-3/4 C102 NSO



NSO: Non Standard Options

- Door Thickness Over 1-3/4"(44.5mm)
- Non Standard Strike
- 2-3/8" Backset (A300 Series Only)
- Security Strike (A300 Series Only)

Auxiliary Locks

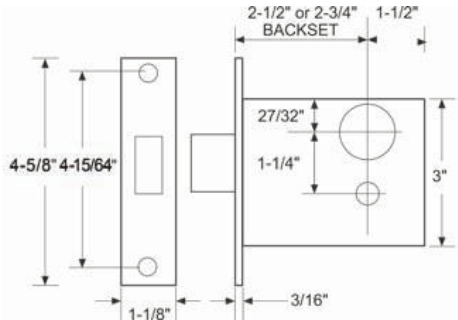


Model No A-2 (ANSI No)	Description	Function	Outside / Inside
A250 (E01101)	Single Cylinder Deadlatch	<ul style="list-style-type: none"> • Key From Outside Retracts Dead Locking Latchbolt • Thumbturn From Inside Retracts Latchbolt 	
A251 (E0131)	Communicating Deadlatch	<ul style="list-style-type: none"> • Key From Outside Retracts Dead Locking Latchbolt • Blank Plate From Inside 	
A252 (E01111)	Double Cylinder Deadlatch	<ul style="list-style-type: none"> • Key From Either Side Retracts Dead Locking Latchbolt 	
A560 (E0151)	Single Cylinder Deadbolt	<ul style="list-style-type: none"> • Key From Outside Retracts or Projects Deadbolt • Thumbturn From Inside Retracts or Projects Deadbolt 	
A561 (E0161)	Communicating Deadbolt	<ul style="list-style-type: none"> • Key From Outside Retracts or Projects Deadbolt • Blank Plate From Inside 	
A562 (E0141)	Double Cylinder Deadbolt	<ul style="list-style-type: none"> • Key From Either Side Retracts or Projects Deadbolt 	
A563 (E0171)	Classroom Deadbolt	<ul style="list-style-type: none"> • Key From Outside Retracts or Projects Deadbolt • Thumbturn From Inside Retracts Deadbolt 	

A600 Series Mortise Deadbolt
Grade 1

Specifications

- 2-3/4"(70mm) Backset
- 1"(25.4mm) Stainless Steel Bolt with Hardened Roll Pin
- Faceplate 1-1/16"(27mm) x 4-5/8"(92mm)
- Strike 1-1/8"(28.6mm) x 3-1/8"(mm)
- Latch Face 1-1/8"(28.6mm) x 2-1/4"(75mm)
- Door Thickness 1-3/4"(70mm)
- Accepts Standard Mortise Cylinder
- Available in 605, 606, 610, 613, 626, 629, 630



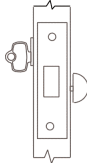
A660 Single Cylinder

A661 Communicating

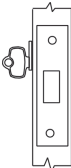
A662 Double Cylinder

A663 Classroom

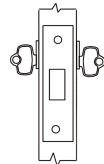
A660 (E06071) Single Cylinder Deadlatch
 • Key From Outside Retracts or Projects Deadbolt
 • Thumbturn From Inside Retracts or Projects Deadbolt



A661 (E06081) Communicating Deadlatch
 • Key From Outside Retracts or Projects Deadbolt
 • Blank From Inside



A662 (E06061) Double Cylinder Deadlatch
 • Key From Either Side Retracts or Projects Deadbolt



A663 (E06091) Single Cylinder Classroom Deadbolt
 • Key From Outside Retracts or Projects Deadbolt
 • Thumbturn From Inside Retracts Deadbolt

